



SUPER
塑寶牌

塑寶®

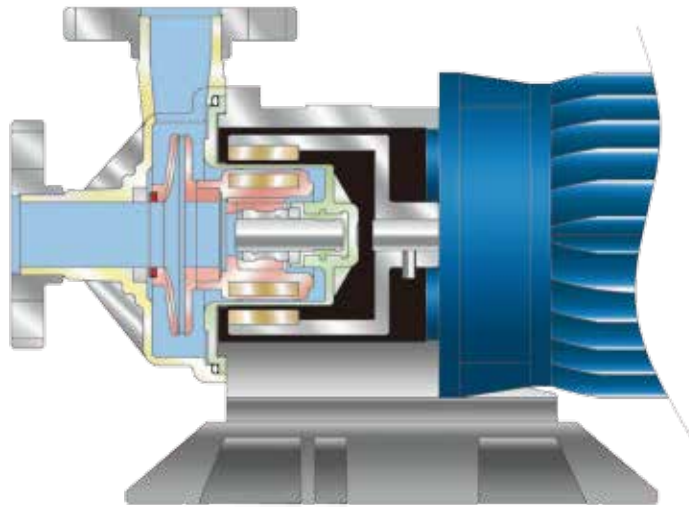
磁力驅動系列
SM 型無軸封耐酸鹼泵浦

Magnetic drive Sealless chemical pump



SUPER PUMPS

INTERIOR PARTS 內部元件



No friction seal, this seal-less construction eliminates the leakage may caused by mechanical seal and can be applied to various applications.

不需要磨耗的機械軸封，此一無軸封設計排除了機械軸封所可能導致的洩漏問題，且用途廣泛。

FEATURES OF CRITICAL PARTS 重要設計/特殊零件



- A** Oval-shaped flange holes suit different standards like DIN, JIS and ANSI. Easy for mounting.
法蘭以橢圓形螺絲孔設計，適合 DIN，JIS 及 ANSI 等各種尺寸，安裝便利。



- B** Available engineering plastic FRPP and PVDF prevent the attack of most chemicals.
泵體採用 FRPP,CFRPP,PVDF 等各種塑鋼材料射出成型，可適用於大部分的化學藥水。



- C** New embedded construction makes the impeller extremely strong and also extends its service life.
新型葉輪的嵌入式結構大大地強化了葉輪的強度，也延長其使用壽命。



- D** Small, powerful magnets maximizes efficiency and long term use.
採用強力磁鐵，體積小，磁力強，驅動力大，永不退磁。



- E** High-purity aluminum oxide, SSIC, Rulon and various other low friction part materials are available that compliment the pump's anti-corrosive features.
高純度氧化鋁，碳化矽，Rulon 選用不同的磨耗零件使泵浦的耐腐蝕力更優良。



- F** Unique engineering plastic bracket construction, excellent in anti-corrosion, light and handy and more powerful strength. Small window enables you to check the rotating direction easily.
專利設計以塑鋼接合座製成，耐腐蝕性優良，輕便，強度更佳，塑鋼接合座上有視窗設計，可目視運轉方向。

MODEL IDENTIFICATION

型號說明

SM 1	F - 40 2 3	1 4	H 5	C - 6 6 7	V 8	C 9	N 10		
(1) Type機型編號 -SM	(2) Pump Material 泵體材質 F-FRPP. P-CFRPP. K-PVDF.	(3) In-Outlet口徑 25-1" 40-1-1/2" 50-2" 60-2-1/2"X2" 65-2-1/2"	(4) Power馬力 0-1/2HP 1-1HP 2-2HP 3-3HP 5-5HP 7-7.5HP	(5) Head揚程 H-High Head高揚程	(6) Shaft軸心 C-Ceramic/陶瓷 S-SSIC T-鈦	(7) Frequency頻率 5:50Hz 6:60Hz	(8) Elastomer橡膠材質 V-VITON. N-NBR. E-EPDM.	(9) Bearing Material 軸受材質 R-RULON C-Carbon/炭素 A-Ceramic/陶瓷 S-SSIC	(10) Model規格 N-Standard/標準規格 S-Special(Sp-Gravity) /特殊規格(有比重) Y-永磁電機

- 採用塑膠材質射出成型，依客戶使用之化學性選擇不同材質，耐酸、耐鹼。
- 可耐大部分的化學性，適合各種酸鹼液循環冷卻輸送作業。
- 適用溫度：FRPP，CFRPP，PVDF-85°C以下，視各種化學性之不同而定。
- 塑膠射出成型之底座，輕便，耐腐蝕。
- Various plastic injection molded parts for different chemicals.
- Anti-corrosion for various chemicals, suitable for acid and alkaline solution circulating.
- Max. fluid temperature: FRPP/CFRPP/PVDF 85°C, depending on the chemicals.
- Injection molded plastic frame, portable and corrosion-resisted.

SPECIFICATIONS PERFORMANCE CHART

規格/性能曲線

※ 重量/性能以實物為準

Weight / Performance Is For Reference Only Actual Product May Vary

(測試流體：水 比重1.0)

Test Fluid : Water Sp.Gravity 1.0

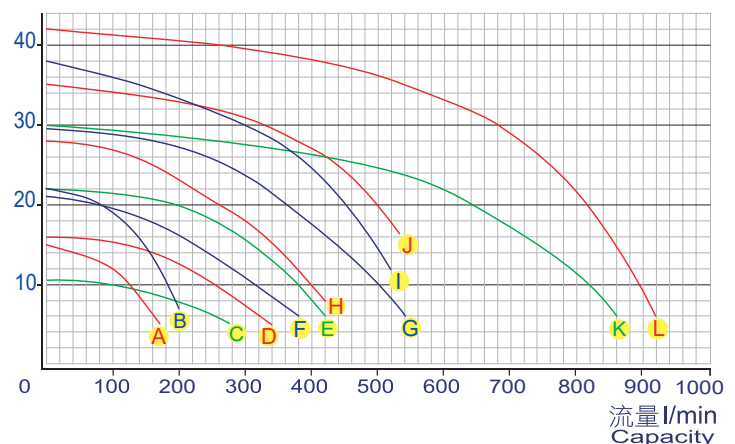
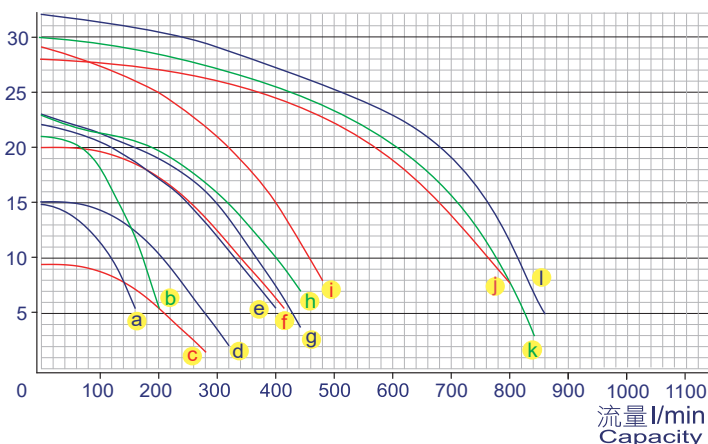
Model 型式	In/Outlet 進出口徑 (In)	Power馬力			50HZ			60HZ			Weight 重量kg (參考值)
		Phase 相數	HP	Pole 極數	Curve 曲線	Max.Head 全揚程 M	Max.Flow 全流量 L/min	Curve 曲線	Max.Head 全揚程 M	Max.Flow 全流量 L/min	
250H	1" X 1"	3	1/2	2	a	15	160	A	14.5	170	16/22
251H	1" X 1"	3	1	2	b	21	200	B	22	200	18/24
400H	1-1/2" X 1-1/2"	3	1/2	2	c	9.5	280	C	10.5	275	16/22
401H	1-1/2" X 1-1/2"	3	1	2	d	15	320	D	16	340	18/24
402H	2" X 1-1/2"	3	2	2	e	22	400	E	22	420	25/37
502H	2" X 2"	3	2	2	f	20	410	F	21	380	25/37
403H	2" X 1-1/2"	3	3	2	g	23	440	G	29.5	540	28/40
503H	2" X 2"	3	3	2	h	23	440	H	28	420	28/40
505H	2" X 2"	3	5	2	i	29	480	I	38	520	40/54
605H	2-1/2" X 2"	3	5	2	j	28	800	J	35	530	40/54
655H	2-1/2" X 2-1/2"	3	5	2	k	30	840	K	30	860	40/54
657H	2-1/2" X 2-1/2"	3	7.5	2	l	32	860	L	42	920	50/65

揚程 M
Head

Frequency 頻率: 50HZ

揚程 M
Head

Frequency 頻率: 60HZ



MODEL IDENTIFICATION

型號說明

SM **F - 40** **1** **L** **C - 6** **V** **C** **N**
1 **2** **3** **4** **5** **6** **7** **8** **9** **10**

- | | | |
|--|--|--|
| (1) Type機型編號
-SM | (4) Power馬力
1-1HP 2-2HP
3-3HP 5-5HP
7-7.5HP | (8) Elastomer橡膠材質
V-VITON. N-NBR.
E-EPDM. |
| (2) Pump Material
泵體材質
F-FRPP.
P-CFRPP.
K-PVDF. | (5) Head揚程
L-Low Head低揚程
4Pole 4-低轉速 | (9) 軸受材質
R-RULON
C-Carbon/炭素
A-Ceramic/陶瓷
S-SSIC T-Teflon |
| (3) In-Outlet口徑
40-1-1/2"
50-2"
60-2-1/2"X2"
65-2-1/2" | (6) Shaft軸心
C-Ceramic/陶瓷
S-SSIC
T-鈦 | (10) Model規格
4-4Pole Motor/4極電機
N-Standard/標準規格
S-Special(Sp-Gravity)
/特殊規格(有比重)
Y-永磁電機 |
| | (7) Frequency頻率
5:50Hz
6:60Hz | |

- 採用塑膠材質射出成型，依客戶使用之化學性選擇不同材質，耐酸、耐鹼。
- 可耐大部分的化學性，適合各種酸鹼液循環冷卻輸送作業。
- 適用溫度：FRPP，CFRPP，PVDF-85°C以下，視各種化學性之不同而定。
- 塑膠射出成型之底座，輕便，耐腐蝕。
- Various plastic injection molded parts for different chemicals.
- Anti-corrosion for various chemicals, suitable for acid and alkaline solution circulating.
- Max. fluid temperature: FRPP/CFRPP/PVDF 85°C, depending on the chemicals.
- Injection molded plastic frame, portable and corrosion-resisted.

SPECIFICATIONS PERFORMANCE CHART

規格/性能曲線

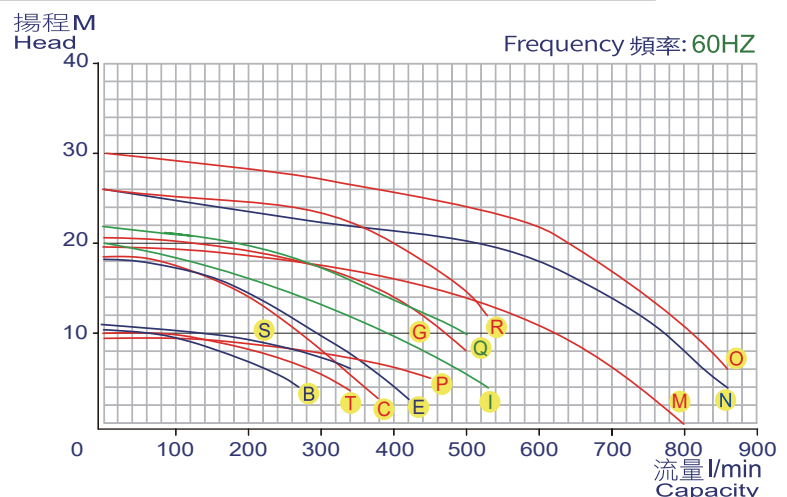
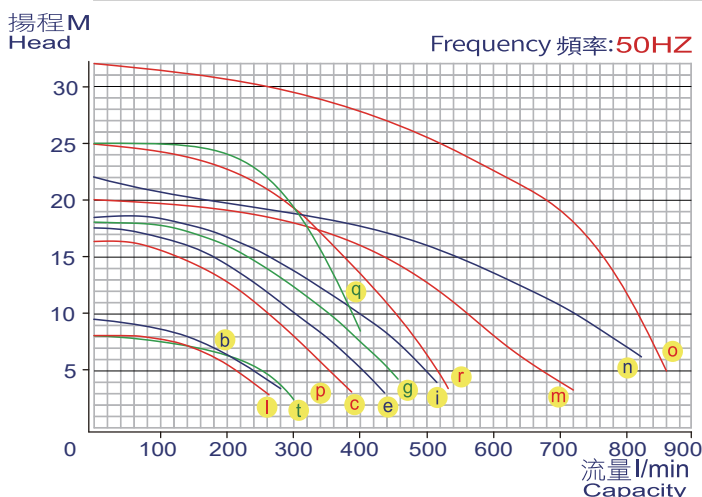
※ 重量/性能以實物為準

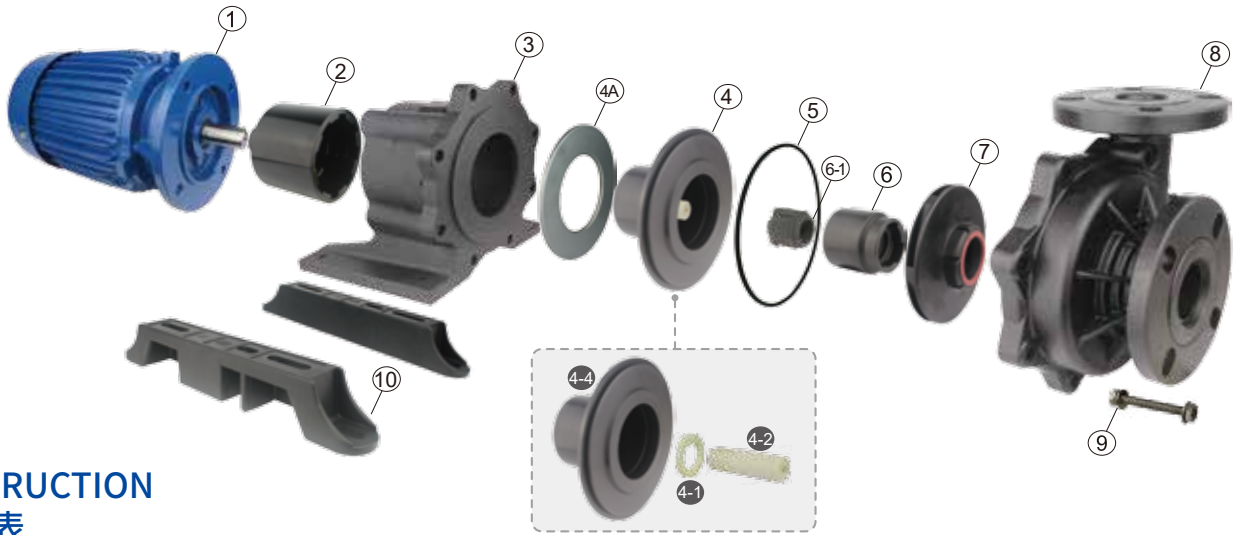
Weight / Performance Is For Reference Only Actual Product May Vary

(測試流體：水 比重1.0)

Test Fluid: Water Sp.Gravity 1.0

Model 型式	In/Outlet 進出口徑 (In)	Power馬力			50HZ			60HZ			Weight 重量kg (參考值)
		Phase 相數	HP	Pole 極數	Curve 曲線	Max.Head 全揚程 M	Max.Flow 全流量 L/min	Curve 曲線	Max.Head 全揚程 M	Max.Flow 全流量 L/min	
401L	1-1/2" X 1-1/2"	3	1	2	b	9.5	280	B	10.5	270	18/24
402L	2" X 1-1/2"	3	2	2	c	16	390	C	18.5	380	25/37
502L	2" X 2"	3	2	2	e	17	430	E	18	420	25/37
403L	2" X 1-1/2"	3	3	2	g	18	450	G	20.5	500	28/40
503L	2" X 2"	3	3	2	i	18	515	I	20	530	28/40
603L	2-1/2" X 2"	3	3	2	q	25	400	Q	22	500	28/40
653L	2-1/2" X 2-1/2"	3	3	2	m	20	720	M	19.5	800	28/40
605L	2-1/2" X 2"	3	5	2	r	25	530	R	26	530	40/54
655L	2-1/2" X 2-1/2"	3	5	2	n	22	820	N	26	860	40/54
657L	2-1/2" X 2-1/2"	3	7.5	2	o	32	860	O	30	860	50/65
4014	2" X 1-1/2"	3	1	4	l	8	260	S	11	340	18/24
5014	2" X 2"	3	1	4	t	8	300	T	10	350	18/24
6524	2-1/2" X 2-1/2"	3	2	4	p	7	350	P	9	450	26/38

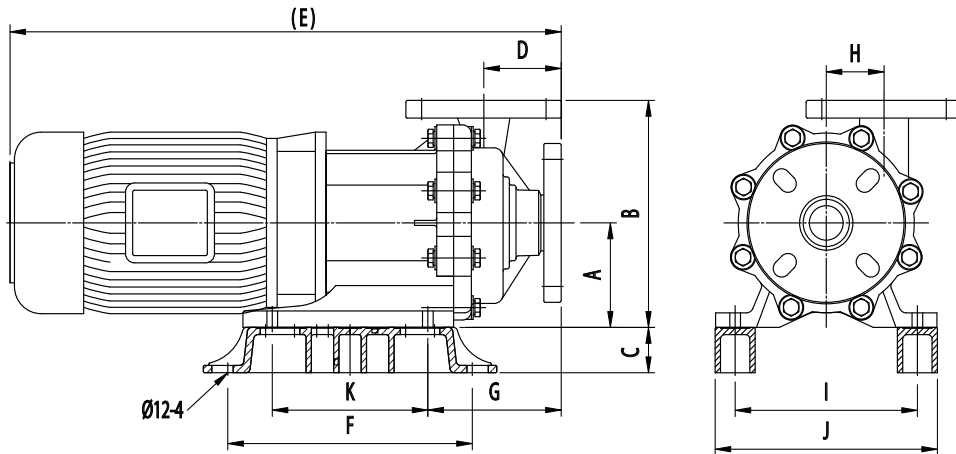




CONSTRUCTION
零件圖表

1	2	3	4	4-1	4-2	4-4	4A	5	6				
馬達 Motor	外驅動磁鐵 Drive Magnet	接合座 Frame	後蓋含軸心 Rear cover and shaft	墊片 Washer	軸心 Shaft	後蓋 Rear cover	後蓋鐵片 Housing Stiffener	封蓋O環 Casing O-ring	葉輪內磁 Drive Magnet				
FC/Alu	Magnet	FRPP	FRPP/PVDF CFRPP	Ceramic/SSIC	Ceramic/SSIC	FRPP/PVDF CFRPP	Zinc plated iron	NBR/EPDM VITON	FRPP/PVDF CFRPP				
6-1	7	8	9	10									
葉輪軸受 Impeller Bearing	葉輪 Impeller	前蓋 Front Casing	前蓋與接合座 固定螺絲/Bolts	腳架 Base									
Rulon/Carbom Ceramic/SSIC	FRPP/PVDF CFRPP	FRPP/PVDF CFRPP	SUS304	FRPP									

DIMENSIONS
外觀尺寸

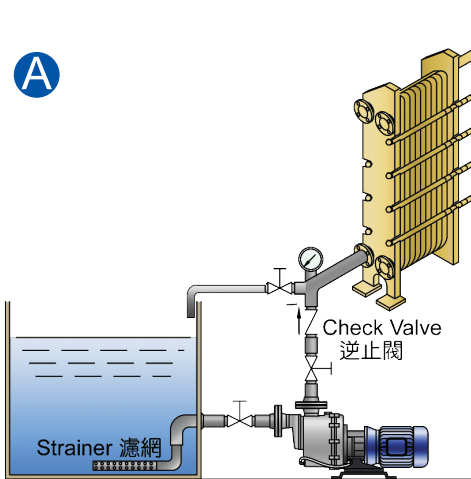


DIMENSION 尺寸表

Unit (單位):mm

Model 型式	In-Outlet進出口徑 Dimension(mm)	A	B	C	D	E	F	G	H	I	J	K
SM-400	40 x 40	115	255	50	100	500	280	164	60	205	250	141
SM-401	40 x 40	115	255	50	100	500	280	164	60	205	250	141
SM-402	50 x 40	115	250	50	90	585	280	150	65	205	250	175
SM-502	50 x 50	115	250	50	90	585	280	150	65	205	250	175
SM-403	50 x 40	115	250	50	90	585	280	150	65	205	250	175
SM-503	50 x 50	115	250	50	90	585	280	150	65	205	250	175
SM-653	65 x 65	115	253	50	82	585	280	146.5	65	205	250	175
SM-505	50 x 50	115	250	50	90	620	330	150	65	205	250	175
SM-655	65 x 65	115	253	50	82	620	330	146.5	65	205	250	175
SM-4014	50 x 40	115	250	50	90	500	280	150	65	205	250	175
SM-5014	50 x 50	115	250	50	90	505	280	150	65	205	250	175
SM-6514	65 x 65	115	250	50	82	505	280	146.5	65	205	250	175
SM-6524	65 x 65	115	253	50	82	585	280	146.5	65	205	250	175

A

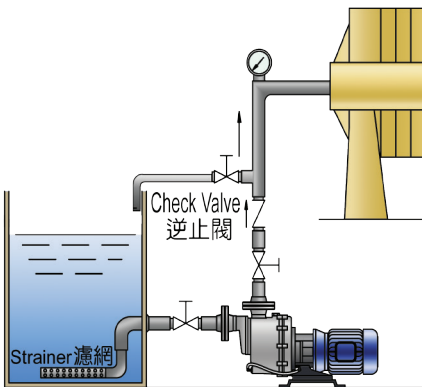


Example A

1. While applied to heat-exchanger, install a pressure gauge at the outlet to make sure no clog inside the pipeline.
2. Install a strainer at the inlet to stop articles or objects entering the pump. It also cut down the bubbles.
3. Install valves at the inlet and outlet for easy maintenance.
4. The diameter of each hole in the strainer should be approximately 5~7mm and the total mesh area of the strainer should be 5~10 times the area of the inlet.
It's better to enlarge the inlet pipeline. For example, enlarged 2-1/2" inlet pipeline could drop the resistance loss.
5. Set an overflow piping at the outlet pipeline and keep constantly opened to allow little overflow

1. 當應用於熱交換器時，於出口加裝壓力錶，以確定管路中有沒有阻塞。
2. 於入口加裝濾網，以阻止外物進入泵浦，也會減少氣泡的出現。
3. 於出入口的管路中加裝閥門，以便維護。
4. 濾網網孔的直徑應為約5~7mm，且濾網孔的面積應為入口管徑之5~10倍，入口管路最好加大管徑，如泵入口為2"，改配2-1/2"入口管，預防吸入量的不足。
5. 出水口配有回流管，正常開啟閥門，少量回流。

B

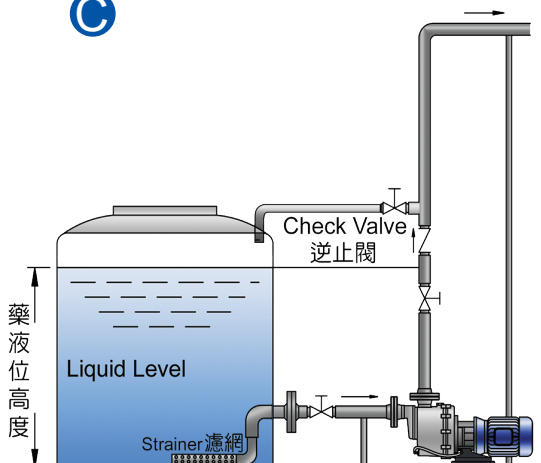


Example B

1. In order to monitor the flow and to detect possible clog of the filter, please set a pressure gauge at the outlet.
2. To eliminate damage caused by dry-running, please install a pressure safety shutoff.
3. Please clean up particles in the pump after operation.
4. Strainer is easy to be clogged. Clean it as usual.
5. The diameter of each hole in the strainer should be approximately 5~7mm and the total mesh area of the strainer should be 5~10 times the area of the inlet.
It's better to enlarge the inlet pipeline. For example, enlarged 2-1/2" inlet pipeline could drop the resistance loss.
6. Install valves at the inlet and outlet for easy maintenance.
7. Set an overflow piping at the outlet pipeline and keep constantly opened to allow little overflow.

1. 為了監視液體流動及偵測過濾機中可能的阻塞，請於出口加裝壓力錶。
2. 請加裝壓力保護斷電器以避免因空轉損壞。
3. 操作完畢，請清除泵浦中的外來物。
4. 注意入口濾網容易受阻塞，應時常清洗。
5. 濾網網孔的直徑應為約5~7mm，且濾網孔的面積應為入口之5~10倍，入口管路最好加大管徑，如泵入口為2"，改配2-1/2"入口管，預防吸入量的不足。
6. 於出入口的管路中加裝閥門，以便維護。
7. 出水口配有回流管，正常開啟閥門，少量回流。

C

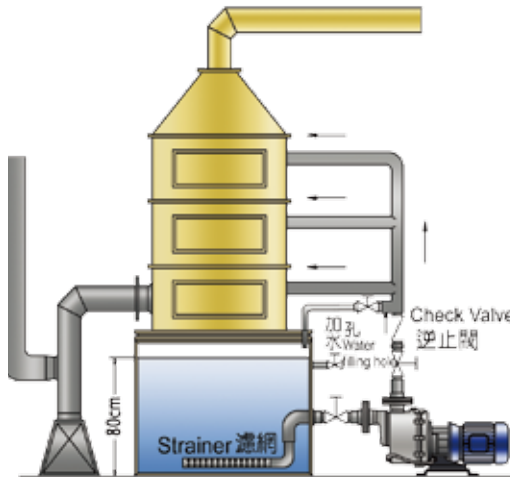


Example C

1. While applied to pump chemicals from the storage tank, please have a valve set at the inlet for the safety and convenience during maintenance.
2. Please monitor the level of the liquid in the tank to avoid dry-running.
3. Without check lid model is recommended.
4. Please install a check valve at the outlet while the height of piping exceeds 8M. It's better to enlarge the inlet pipeline. For example, enlarged 2-1/2" inlet pipeline could drop the resistance loss.
5. Please fasten in-outlet piping perfectly.
6. The motor shield must be applied while the pump is installed outdoors or in harsh conditions.
7. Set an overflow piping at the outlet pipeline and keep constantly opened to allow little overflow

1. 當應用於抽送儲存槽中之化學藥水時，請於入口加裝閥門，以維安全及維護上之便利。
2. 請監視槽內液體高度，以避免空轉。
3. 建議採用無單向閥機型。
4. 當配管高度大於8米時請於出口加裝逆止閥，逆止閥應高於液位以上，入口管路最好加大管徑，如泵入口為2"、改配2-1/2"入口管，以防吸入量的不足。
5. 請將出入口管線固定好。
6. 當泵浦裝於戶外或惡劣環境中，馬達必需加蓋護罩。
7. 出水口配有回流管，正常開啟閥門，少量回流。

D

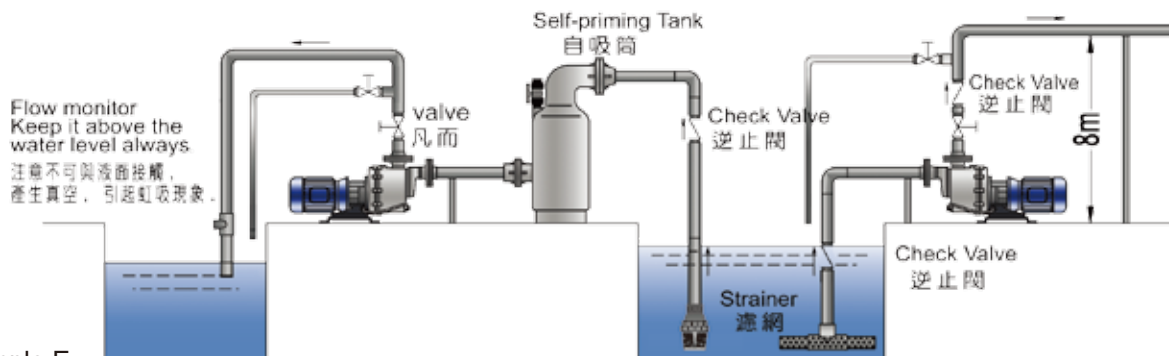


Example D

1. While applied to waste gas treatment tower, the tank should be large enough and the water-level in the tank should exceeds the inlet 80cm.
2. In order to avoid foreign particles clogging the inlet, please lower the inlet and install a strainer. (Mesh diameter approximately 5~7mm and the total mesh area of the strainer should be 5~10 times the area of the inlet.) It's better to enlarge the inlet pipeline. For example, enlarged 2-1/2" inlet pipeline could drop the resistance loss.
3. It should be easy to remove the strainer from the inlet for cleaning.
4. To avoid running out of liquid, please make sure that the water supplying system functions well.
5. To prevent the pump from dry running, please install a safety shutoff.
6. The motor shield must be applied while the pump is installed outdoors or in harsh conditions.
7. Install valves at the inlet and outlet for easy maintenance.
8. Set an overflow piping at the outlet pipeline and keep constantly opened to allow little overflow.

1. 當應用於廢氣塔時，水槽應夠大，且槽中水位應高於入口濾網80公分。
2. 為了避免外物阻塞入口，請降低入口並要裝濾網（網孔孔徑約5~7mm，且濾網孔的面積應為入口管徑之5~10倍）入口管路最好加大管徑，如泵入口為2"，改配2-1/2"入口管，預防吸入量的不足。
3. 入口濾網應易於取下清洗。
4. 請確認供水系統功能良好，以避免無水運轉（加裝自動補水系統）。
5. 請加裝保護斷電器，以防止泵浦空轉。
6. 當泵浦裝於戶外或惡劣環境中，馬達必需加蓋護罩。
7. 於出入口的管路中加裝閥門，以便維護。
8. 出水口配有回流管，正常開啟閥門，少量回流。

E



Example E

1. To stop articles or objects entering the pump, install a foot valve or strainer.
2. To prevent the inlet from sucking in bubble, please keep liquid level at least 30cm above the strainer.
3. Check valve must be installed if the height of piping exceeds 8M.
4. To avoid dry-running, please install a safety shutoff.
5. For the safety of repair, the valve must be installed at the outlet.
6. 3" in/outlet models cannot do self-priming well. Install a self-priming tank to get it.
7. In order to avoid foreign particles clogging the inlet, please lower the inlet and install a strainer. (Mesh diameter approximately 5~7mm and the total mesh area of the strainer should be 5~10 times the area of the inlet.) It's better to enlarge the inlet pipeline. For example, enlarged 2-1/2" inlet pipeline could drop the resistance loss.
8. If the head of the outlet too high or the long transfer distance and the pressure losing or over 1KG we suggest that install the outlet tee hose for backflow to tube. This can avoid the pressure of the backflow and the hot air can be exhausted will diminish the damage.
9. Set an overflow piping at the outlet pipeline and keep constantly opened to allow little overflow.

1. 加裝底閥或濾網，以防止外物進入泵浦。
2. 請保持液位最少高於入口濾網 30cm 以上，以防止吸入氣泡。
3. 當配管高度大於 8 米時，必需加裝逆止閥。
4. 請加裝保護斷電器，以防止泵浦空轉。
5. 為了維修安全，出口必需加裝閥門。
6. 出入口為 3" 之機型無自吸能力，請加裝自吸桶以獲得自吸能力。
7. 為了避免外物阻塞入口，請降低入口並要裝濾網（網孔孔徑約5~7mm，且濾網孔的面積應為入口管徑之5~10倍）。入口管路最好加大管徑，如泵入口為2"，改配2-1/2"入口管，預防吸入量的不足。
8. 出口揚程高或輸送距離較長，壓損超過1kg以上的使用場所建議在原出口加裝三通回流管，來防止反壓及熱氣排放減少損壞。
9. 出水口配有回流管，正常開啟閥門，少量回流。
※如安裝二台泵浦，不能共用入口管路



總公司

昇展實業股份有限公司

台灣省台南市永康區中正南路404巷7號

Tel: 886-6-2534546, 2541601

Fax: 886-6-2534226, 2420509

SUPER GIANT ENTERPRISE CO., LTD.
No.7, Lane 404, Chung Cheng South Road, Yen
Hang, Yung Kang, Tainan, Taiwan,

Tel: 886-6-2534546, 2541601

Fax: 886-6-2534226, 2420509

E-mail: super@superpump.tw

Website: www.superpump.tw

www.chemicalfilter.com.cn



上海區 塑寶環保機械

江蘇省太倉市沙溪鎮岳王區

鎮北路16號 215400

Tel: 0512-53303388, 53303398

Fax: 0512-53303588

E-mail: taichang@superpump.cn

Website: www.superpump.cn

廣東區 升展機械

廣東省廣州市增城區新塘鎮

民營西二路9號

(遠航科技園B1座二樓)

Tel: 020-82691835, 82602341~3

Fax: 020-82708706

E-mail: singtown@superpump.cn

Website: www.chemicalpump.cn

訂購時請提供下列資料:

1. 藥液條件: 名稱_____/溫度_____
濃度_____/比重_____/黏度_____
2. 需求流量: _____ L/min
3. 需求揚程: _____ M
4. 馬達: 電壓/頻率

While placing your order...

Please kindly provide us the following information.

1. Chemical: Name_____/Concentration_____
Temperature_____/Specific Gravity_____
Viscosity_____
2. Capacity needed: _____ L/min
3. Head needed: _____ M
4. Power: Voltage/Frequency